

# Poolkeeper®

Model 128  
U.S. Patent 5,655,232

## INSTRUCTIONS, ADJUSTMENTS, USEFUL TIPS, WARRANTY AND SERVICE INFORMATION

### CAUTION: PLEASE READ THE FOLLOWING PRIOR TO INSTALLATION

Removing the wedge lock as referenced in step three will allow free movement of the float assembly. It is very important that the float assembly be prevented from "bouncing" around (in the main body, part "A") as you move the Poolkeeper from or around the pool. Do not remove the wedge lock prior to step three and take care to prevent rough handling of the float thereafter.

### Installation Instructions

1. Join Part "A" - Main Body to Part "B" - Pool Deck Stabilizer. The 2-inch extension is installed in the top of the Main Body at the factory (this is the most commonly used extension). The Teflon tape around the end will help prevent water leaks around the joint, and allow for adjustments that may be necessary at pool side. Place the 1.2 inch cover over the extension then screw the threaded end of the extension into the open end of the 90 degree elbow of Part "B". Do not over tighten - it is not necessary for the extension cover to make hard contact with the 90 degree elbow of Part "B" and the top of fitting on Part "A". The extension cover is for appearance only.
2. Join assembled "A-B" to a garden hose. If necessary, use about 5 inches of the Teflon tape to wrap the threads of the hose. Wind the tape in a clock wise direction when viewed from the end of the hose. Do not over tighten.

IMPORTANT: After removing the wedge lock, exercise caution while handling the unit.

3. Part "A" - Main Body. Remove tape, and pull upwards on the round plastic ball to free the plastic wedge lock positioned against the float stem. Removing the wedge lock will allow free movement of the float assembly. Save this part; in the unlikely event you may need to return the product, it will be necessary to reinstall the wedge lock to secure the float assembly during transit. Poolkeeper will not function with the wedge lock in place.
4. The Poolkeeper should not be used to fill the swimming pool. It is intended to maintain the optimum water level of the pool. Before installing the Poolkeeper, the water should be at, or above the normal usage level. Once the desired water level has been reached, place the "A" portion of the "A-B" assembly in the pool with the "B" portion of the assembly, attached to a garden hose, resting on the pool deck. Make sure Part "A" is in an up-right position to insure proper operation. Part "A" should be approximately 1/2 submerged in the water when operating correctly.
5. Turn on the water to the garden hose and let it remain on. If the 2-inch extension is the correct length for your water level, Poolkeeper will maintain that level. If necessary, for a water tight seal, install the spare washer in addition to the existing washer at the hose connection.

### ADJUSTMENTS

Poolkeeper is shipped from the factory with a 2-inch extension installed. This extension will maintain the water level in the pool 5.5 to 6 inches below the pool deck. To change the water level, reverse the process described in step two of the "Installation Instructions" and remove the 2-inch extension from the Main Body. It may be necessary to use a pair of pliers or channel locks to remove the extension. Be careful not to damage the threads. Replace with the 1-inch extension to raise the water level to 4.5 to 5 inches below the pool deck. Prior to installation, wrap the ends of the gray extension with one layer of Teflon tape in a clock-wise direction when facing the opening of the extension. To lower the water level to 6.5 to 7 inches below the pool deck, install the 3-inch extension.

## USEFUL TIPS

1. Always use a good grade reinforced rubber or plastic hose. A poor grade hose may burst under normal water pressure with extended exposure to direct sun.
2. Poolkeeper's patented valve system is designed to operate with water pressure between 35 and 70 pounds per square inch (psi). Some municipal water systems have water pressure in excess of 70 psi, which may affect the performance of Poolkeeper. Should this become a problem, we suggest the use of a Water Pressure Regulator. Marshall Brass manufactures a high quality regulator (Model #G790P) that can be purchased from most RV dealers or direct from Marpac Corporation.
3. Poolkeeper should be placed in an area of the pool convenient to the garden hose hook-up; but out of high traffic areas. AVOID placing the unit near steps, ladders, skimmer or any water inlet.
4. The unit should be removed from the pool whenever the pool is being used. Turn off the water and move the Poolkeeper and the hose from the pool traffic area.  
IMPORTANT: When moving the unit around the pool, do not handle the unit in a rough manner as damage may occur
5. Testing at pool side. To prevent damage to the ball valve, DO NOT apply excessive upward or downward force to the float stem. You should hear water rushing through the Poolkeeper when the ball on the float stem on top of the Float Housing is depressed; or notice a good flow of water moving through the unit when the Poolkeeper is lifted from the pool. If not, make sure the water is turned on. Please keep in mind that it is not unusual for Poolkeeper to make a resonating sound when operating.
6. If it is necessary to raise the water level to a depth less than 4.5 inches to 5 inches, place the deck assembly (Part "B") on blocks or similar items until desired level is achieved. To lower the water level to a depth greater than 6.5 inches to 7 inches, longer extensions can be purchased from your local hardware or home improvement center. Ask for a ½ inch schedule 80 pipe nipple/extension in the desired length.
7. Keep From Freezing - Disconnect and drain if freeze is expected.

## LIMITED ONE YEAR FACTORY WARRANTY

Thank you for purchasing Poolkeeper®. Please complete and return the enclosed registry card within thirty days of purchase. It will assist us in processing warranty claims and repair orders in the unlikely event this becomes necessary. Be sure to complete all information requested on the card. The warranty covers defects in materials or workmanship for one year from date of purchase. It is our desire to provide superior products and services to our valued customers and each completed card will assist us in achieving this goal. There are no consumer serviceable components inside the Poolkeeper. Any attempts to access the interior will VOID the warranty.

### IF YOU NEED SERVICE

Please pack the product well to avoid damage in transit. Include your name and return address inside the package with a brief description of the problem. We suggest a shipping means that allows for tracing lost packages. Be sure to immobilize the float stem by installing the wedge in the same manner in which Poolkeeper was shipped to you.

Within the warranty period - Return the product, postage paid, for a no charge repair or replacement at our option. Please include proof of purchase information.

Beyond the warranty period - Standard repair costs are available by phoning (910) 602-1421, by fax at (910) 602-1435 or Email - support@marpac.com. Return the product, postage paid with your payment for repair.

SHIPPING ADDRESS: MARPAC CORPORATION  
P.O. Box 560, 98 South Trade Way, Rocky Point, NC 28457

Use P.O. Box for USPS shipments - use street address for UPS, Fed Ex, and other courier services.

# Poolkeeper®

Installation Instructions for Above Ground Pools  
Poolkeeper Model 128-D

## EXTREMELY IMPORTANT NOTICE:

**Do Not**, under any circumstance, use an electric drill (120V) or other electric tools to install accessories or perform maintenance or repairs near open bodies of water (swimming pools). The risk of electrical shock is extreme and can cause permanent injury or death.  
If you must use power tools/equipment in this or similar environments, use only low voltage, battery powered tools.

### Tools you will need:

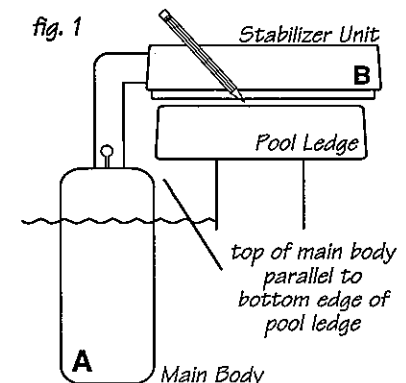
Battery Operated Drill, 1/8" Drill Bit, Pencil, Try Square (or similar device), #2 Phillips Screwdriver, Masking Tape (optional), Tape Measure or Ruler

Before proceeding with the Above Ground Pool Installation of your new Poolkeeper, please read the sheet entitled **Instructions, Adjustments, Useful Tips, Warranty and Service Information**. Also, for best results, read these instructions completely before beginning.

Most above ground pools are equipped with a ledge or railing around the top edge of the pool. On *most* pools, this ledge is between four and twelve inches wide. For Poolkeeper to be sufficiently stabilized, the ledge must be a minimum of four (4) inches wide. It is also important the ledge be flat or horizontal to the water surface. Indentations, recessed runners, ribs, or other irregularities on the surface of the ledge are acceptable *as long as the strap brackets can remain reasonably level*. Ledges with an inclined shape for water drainage or other unique ledge designs may not be compatible with Poolkeeper.

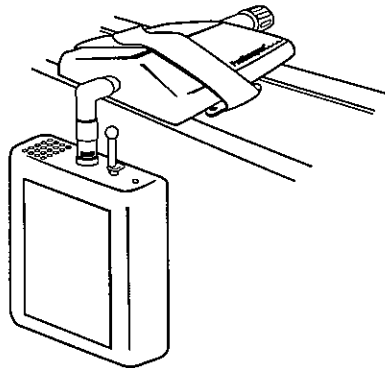
**Step 1** Select a location on your pool that is easily accessible from outside the pool. Since it is recommended that Poolkeeper be removed from the pool when the pool is *IN USE*, it is important that you have easy access to Poolkeeper from outside the pool. It is also important that you choose a location that is convenient for connecting a water supply hose to Poolkeeper. Locating the hose in an area that minimizes exposure will lessen the likelihood of it becoming a trip hazard.

**Step 2** After you decide where you would like to position Poolkeeper, temporarily set the assembled unit on the ledge with the Main Body, Part "A", in the water and the Pool Deck Stabilizer, Part "B", on the ledge. Position Poolkeeper so that the top edge of the Main Body is parallel to the inside, bottom edge of the pool ledge (fig. 1). While holding unit firmly in this position, make a "small" pencil mark on the surface of the ledge on both sides of the Pool Deck Stabilizer. These are your orientation marks for aligning the Stabilizer to the pool ledge. After making the marks, set the unit aside and proceed with installation.



Poolkeeper®

Thank you for choosing Poolkeeper!



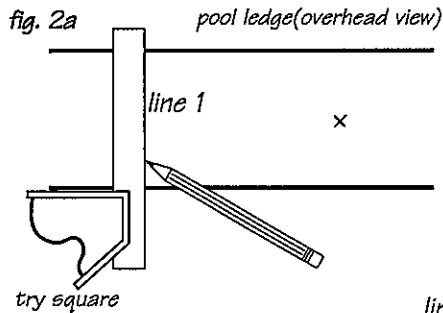
marpac

[www.poolkeeper.com](http://www.poolkeeper.com)

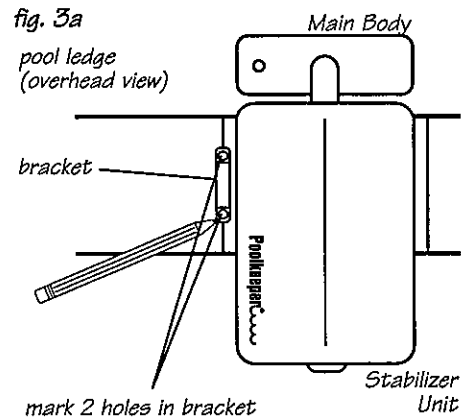
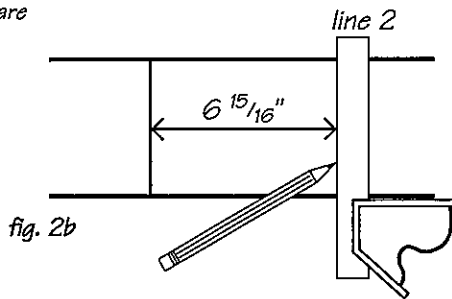
PO Box 560, Rocky Point, NC 28457

for more information, call  
800-999-6962

**Step 3** Two (2) "Strap Brackets" are required to hold the unit in place on the pool ledge, and it is important that they are properly aligned. To achieve this alignment, position a try square against the outside edge of the ledge and align it with one of the marks you made in Step 2. Be sure it is square with the ledge, then mark a line on top of the ledge (TIP: you can place a piece of 1" to 2" masking tape on the ledge and make the line on the tape). From this line, measure 6 <sup>15</sup>/<sub>16</sub>" toward the other mark you made in Step 2. At this distance, using the try square again, mark another line on the ledge. This line should run parallel to the first line you made. These two lines will be used to position the strap brackets. See Fig. 2a for more detail.

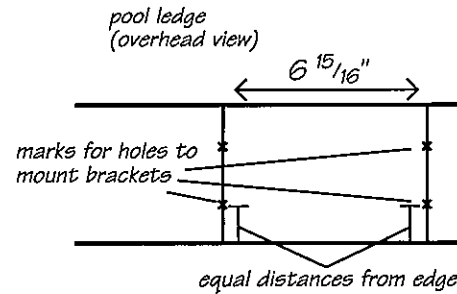


**Step 4** Installing the Poolkeeper "Strap Brackets" requires four pilot holes for the stainless steel tapping screws used to fasten the strap brackets to the pool ledge. To position the brackets properly and confirm the proper position of the lines made in step 3, set Poolkeeper on the ledge again and center the Pool Deck Stabilizer between the two lines. It should sit squarely on the ledge with the Main Body in the water, aligned as discussed in Step 2. The Main Body should be close to the ledge without actually touching it. Once you have Poolkeeper in this position, place one of the brackets on either line and visually center it on the pool ledge. It is not important that the bracket be 'perfectly' centered, as you may have to move it off center so that both ends of the bracket are on flat surfaces. Once positioned, mark the center of both holes in the bracket as the center point for pilot holes (see Fig. 3a). Remove the Poolkeeper and continue with installation.



just made. Using these measurements, mark the center of both holes for the second bracket along the other line you drew in Step 3. You should now have four (4) marks on the two lines for installing the brackets (see Fig. 3b).

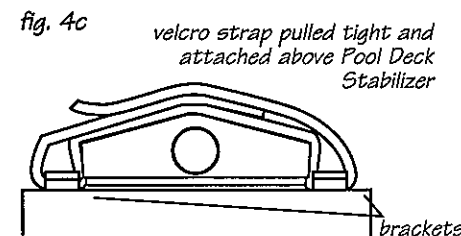
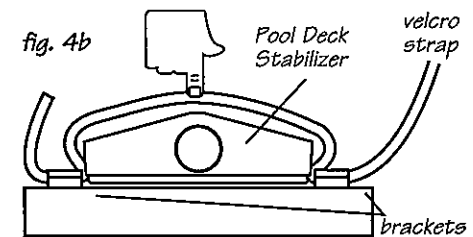
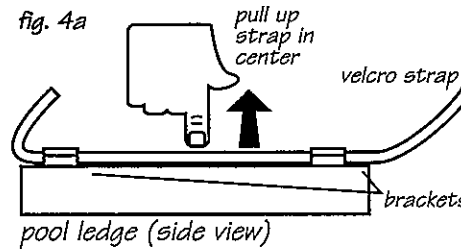
fig. 3b



**IMPORTANT:** Before drilling the pilot holes, check the underside of the ledge to insure the hole locations are clear of the pool wall and liner. Check all four hole locations and make any necessary adjustments.

Once you have complied with all the cautions and have obtained a battery powered drill, proceed with the installation. If you are using the stainless steel tapping screws supplied with the Poolkeeper, select a 1/8" drill bit for the pilot holes and drill through all four hole locations marked in Step 4. After the pilot holes are drilled, fasten the two brackets to the pool ledge.

**Step 6** The white strap supplied with Poolkeeper is used in combination with the two brackets to stabilize the Poolkeeper assembly on the ledge of your pool. Slide the strap under both brackets then pull up on the strap in the center between the brackets and position Poolkeeper on the ledge with the Pool Deck Stabilizer under the strap. Pull the strap tight on top of the Pool Deck Stabilizer and attach the ends of the strap to each other with the Velcro closures (See Fig. 4a-c).



**Step 5** Double-check everything you have done to this point. You are about to make holes in the ledge and it is important they are in the correct location. Due to risk of electric shock, **DO NOT USE A 120V POWER DRILL** for this step. We strongly recommend using a battery powered drill. If you do not own a battery powered drill, consider borrowing or renting one.

You are now ready to hook up the hose and let Poolkeeper attend your pool!  
Please refer to the Instructions, Adjustments, Useful Tips, Warranty and Service Information.